

CSS-H30

30 Watt Paging Horn

Professional Series

Key Features

- ▶ Excellent voice range clarity for announcement and paging.
- ▶ High sensitivity delivers high sound levels with minimal power amplification.
- ▶ Focused 50° horizontal by 70° vertical coverage for long throw capability.
- ▶ Phenolic diaphragm driver for outdoor durability and high reliability.
- ▶ UL-registered 30-watt multi-tap transformer, with 8 ohm direct bypass.
- ▶ Built-in high-pass filter enhances reliability by protecting against low frequency damage.
- ▶ Highly weather-resistant, with stainless steel bracket and hardware.

Application

The Commercial Solutions Series CSS-H30 Paging Horn provides excellent voice range clarity for public address systems, announcement/paging, intercom, security, alarm and industrial applications. Designed for demanding environmental conditions, the CSS-H30 is highly weather resistant (IP-65 rated) so it can be used in either indoor or outdoor applications. The focused coverage pattern allows the horn to project the sound a farther distance than is the case with wider-coverage paging horns. Typical applications for this product are public access areas, warehouses, factories, schools, recreational facilities, commercial buildings, distribution centers, civic centers, and other commercial sound and protective-signaling systems.

The CSS-H30 includes a UL-registered 30-watt multi-tap transformer for use with 70V or 100V distributed speaker lines. The power tap switch is screwdriver adjustable for easily changing settings from 30W, 15W, 7.5W, 3.8W (and 1.9W at 70V only). For non-distributed systems there is an 8 ohm bypass position. Connection is via bare wire on a built-in jacketed cable with water-tight entrance to the speaker.

The transducer diaphragm is sturdy phenolic material to enhance durability, especially in outdoor applications, and to resist deformation under stressful temperature conditions. To further increase reliability, a 350 Hz high-pass filter is built-in to protect the paging horn against damage from frequencies below the operational frequency band. The horn is constructed from sturdy ABS plastic and exterior hardware is corrosion-resistant stainless steel. A stainless steel mounting bracket is included.



Specifications:

System:	
Frequency Response (-10 dB) ¹ :	380 Hz – 6 kHz
Coverage Pattern:	50° horizontal by 70° vertical (at 2 kHz and averaged 1 kHz – 4 kHz)
Included High-Pass Filter:	Passive 350 Hz high-pass filter built-in to protect against damage from frequencies below operational range.
Directivity Factor (Q):	15.8 (2 kHz)
Directivity Index (DI):	12 (2 kHz)
System Power Rating ² :	30 W (120 W peak), 100 hrs.
Sensitivity (1W, 2.83V@ 1m):	108 dB, ave. 1 kHz – 6 kHz 112 dB at 1.4 kHz
Maximum SPL (1m) ³ :	123 dB cont ave. (129 dB peak), 1 kHz – 6 kHz; 127 dB cont ave. (133 dB peak), 1.4 kHz, 30W input, 8 ohm Setting
Nominal Impedance :	30W/70V, NC/100V tap: 167 ohms 15W/70V, 30W/100V tap: 333 ohms 7.5W/70V, 15W/100V tap: 667 ohms 3.8W/70V, 7.5W/100V tap: 1333 ohms 1.9W/70V, 3.8W/100V tap: 2666 ohms 8 ohms at 8 ohm direct setting
Transformer Taps:	70V: 30W, 15W, 7.5W, 3.8W, 1.9W 100V: 30 W, 15W, 7.5W, 3.8W
Transducers:	
Driver:	38 mm (1.5 in) diameter with phenolic diaphragm
Physical:	
Horn Material:	ABS
Mounting Hardware:	Stainless steel powder-coated U-bracket (yolk) with 3 x 10.4 mm (0.41 in) dia mounting holes, stainless steel exterior hardware.
Color:	RAL9016 (horn and bracket)
Input Connection:	300 mm (12 in) pigtail to bare wire; entrance via water-tight fitting. Wire colors: red = positive (+); black = negative (-).
Environmental:	IP-65 rating per IEC529, salt spray per B117, stainless steel U-bracket and exterior hardware.
Safety Agency:	Transformer UL Registered per UL1876 "Isolating Signal and Feedback Transformers for Use in Electronic Equipment"
Dimensions (H x W x D):	206 x 285 x 287 mm (8.2 x 11.2 x 11.3 in) horn 224 x 285 x 287 mm (8.9 x 11.2 x 11.3 in) including mounting bracket. Depth excludes cable exit.
Weight (ea):	4.5 lb/2.0 kg
Shipping Weight (ea):	6.0 lb/2.7 kg
Included Accessories:	Stainless steel mounting bracket

¹Based on average 1 kHz – 6 kHz sensitivity

²AES standard, one decade pink noise with 6 dB crest factor within device's operational band, free air, 100 hr continuous.

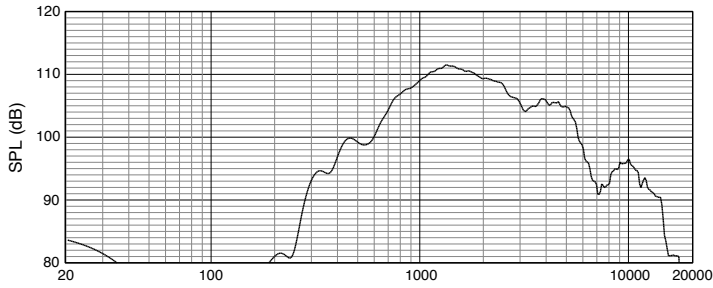
³Calculated, based on power rating and measured sensitivity, exclusive of power compression.

JBL continually engages in research related to product improvement. Some materials, production methods and design refinements are introduced into existing products without notice as a routine expression of that philosophy. For this reason, any current JBL product may differ in some respect from its published description, but will always equal or exceed the original design specifications unless otherwise stated.


► CSS-H30 30 Watt Paging Horn

Frequency Response:

1W (2.83V) input, 8 ohm setting, full-space (4π)



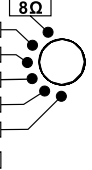
Tap Selection:





JBL Professional
Northridge, CA, USA

CSS-H30 Paging Horn

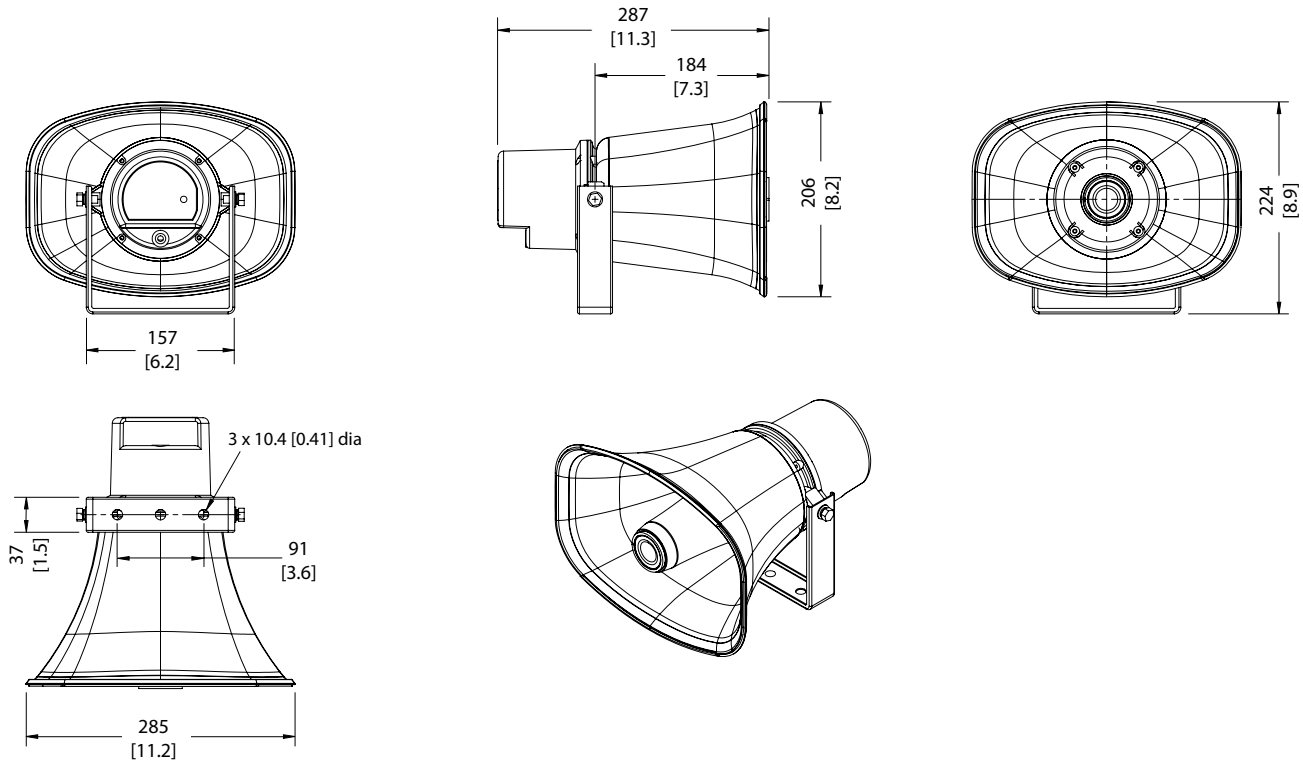
Do not use in 8Ω position
on a 70.7V or 100V line,
damage may occur.



Made by JBL in China

Dimensions:



Dimensions in mm (inches)



JBL Professional
8500 Balboa Boulevard, P.O. Box 2200
Northridge, California 91329 U.S.A.

© Copyright 2014 JBL Professional
www.jblpro.com

SS CSS-H30
CRP
02/14