



STX828S

Dual 18" High Power Subwoofer

Professional Series

Key Features:

- ▶ Premium passive loudspeaker system
- ▶ Very high power handling
- ▶ Dual 18 inch, 2242H Super Vented Gap Cooled™ woofers for extended low-frequency output and extremely low distortion
- ▶ Large vent area for reduced distortion

Applications

- ▶ Live performance venues
- ▶ Mobile and fixed DJ systems
- ▶ Sound system rental

The STX828S is a high power subwoofer system containing two 2242H patented Super Vented Gap Cooled™ 18" woofers in a front-loaded, vented enclosure. The enclosure is designed to present a minimum frontal area. The system offers complete input connection flexibility for compatibility with a variety of cabling schemes. A recessed, external switch allows selection of either contacts +1/-1 or +2/-2. By relocating an internal connector, it is also possible to drive each woofer discretely from a separate amplifier channel.

The enclosure is constructed of top quality birch/poplar laminate plywood and coated in JBL's rugged DuraFlex™ finish. Each woofer is housed in an isolated chamber and the enclosure is heavily braced to maximize low-frequency performance. The attractive CNC-machined, 14-gauge steel grille is internally lined with acoustically transparent cloth to provide additional driver protection and give a very professional appearance.



Specifications:

Frequency Range (-10 dB):	32 Hz – 250 Hz
Frequency Response (±3 dB):	37 Hz – 120 Hz
Input Connection Modes:	Switchable, +1/-1 or +2/-2 Internally selectable, Parallel or Discrete
Recommended Crossover Frequencies:	30 Hz, 24 dB / octave HPF 80 Hz, 24 dB / octave LPF
Power Rating (Continuous ¹ / Program / Peak):	Parallel: 2000 W / 4000 W / 8000 W
Maximum SPL ² :	138 dB SPL peak
Sensitivity (1w @ 1m):	99 dB SPL
LF Driver:	2 x JBL 2242H 457 mm (18 in) Super Vented Gap Cooled™ woofers
Nominal Impedance:	Parallel: 4 ohms Discrete: 8 ohms x 2
Active Tunings:	Designed for Crown amplifiers and dbx DriveRack. Settings available at www.jblpro.com
Enclosure:	Rectangular, 18 mm, 13-ply birch/poplar plywood
Transport:	4 side handles, 4 side grip points
Finish:	Black DuraFlex finish
Grille:	Powder coated, black, 14-gauge perforated steel with acoustical transparent cloth backing. Removable JBL badge and punched JBL logo.
Input Connectors:	Neutrik® Speakon® NL-4 (x2)
Dimensions (H x W x D):	564 mm x 1137 mm x 714 mm (22.2 in x 44.8 in x 28.1 in)
Net Weight:	82 kg (180 lb)
Optional Accessories:	For covers, go to www.jblbags.com

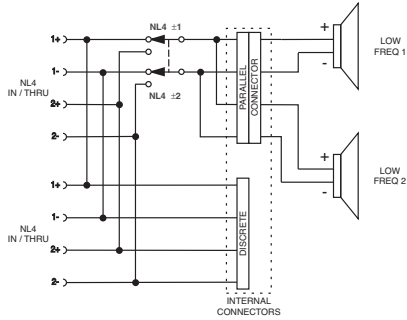
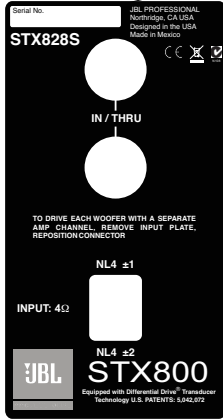
¹40 Hz to 120 kHz pink noise with 6 dB crest factor, 2 hours duration.

²Calculated based on power rating and sensitivity.

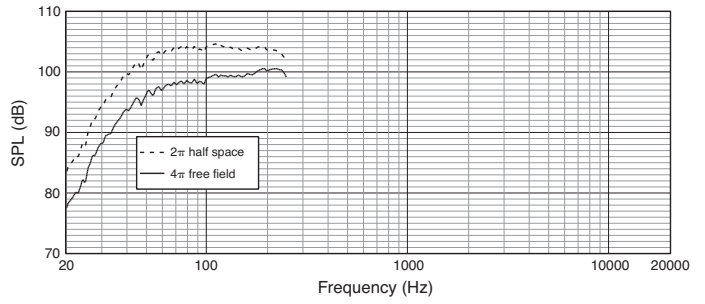
JBL continually engages in research related to product improvement. Some materials, production methods and design refinements are introduced into existing products without notice as a routine expression of that philosophy. For this reason, any current JBL product may differ in some respect from its published description, but will always equal or exceed the original design specifications unless otherwise stated.

► STX828S Dual 18" High Power Subwoofer

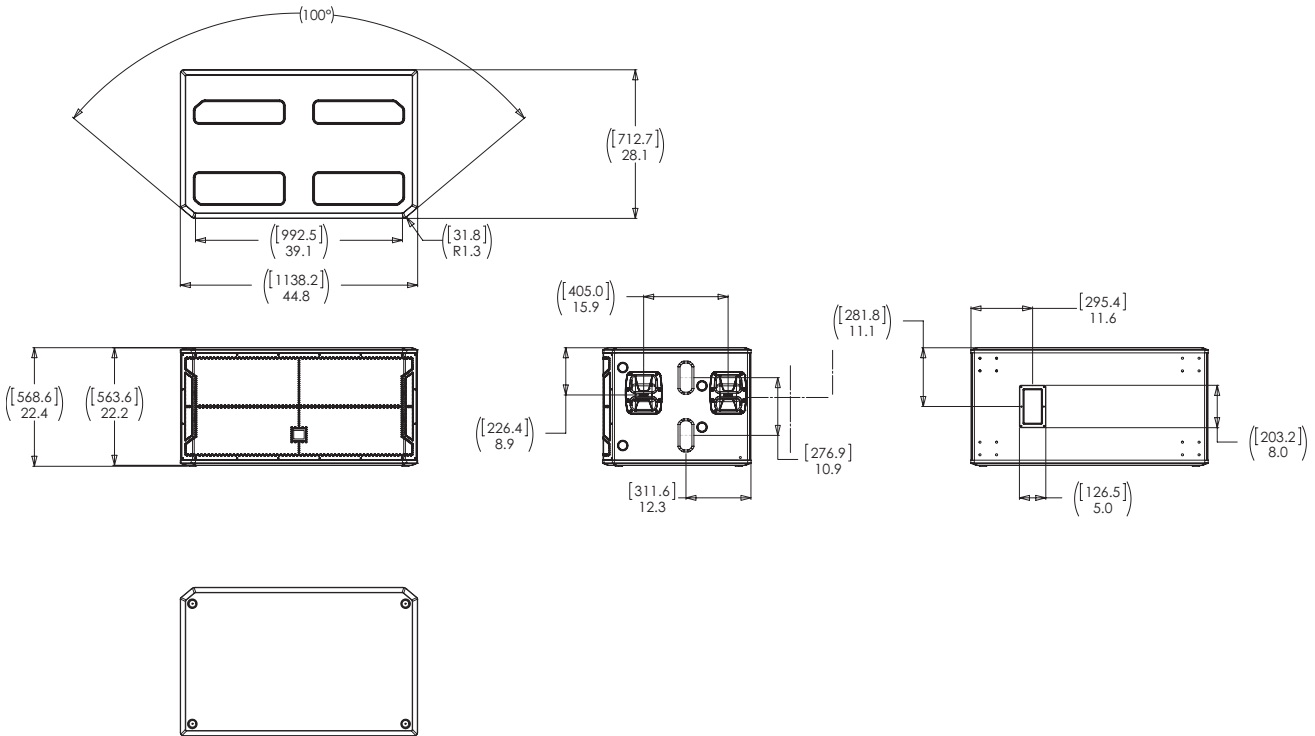
Block Diagram



Frequency Response



Dimensions



JBL Professional
8500 Balboa Boulevard, P.O. Box 2200
Northridge, California 91329 U.S.A.

© Copyright 2012 JBL Professional
www.jblpro.com

SS STX828S
CRP
06/12 A