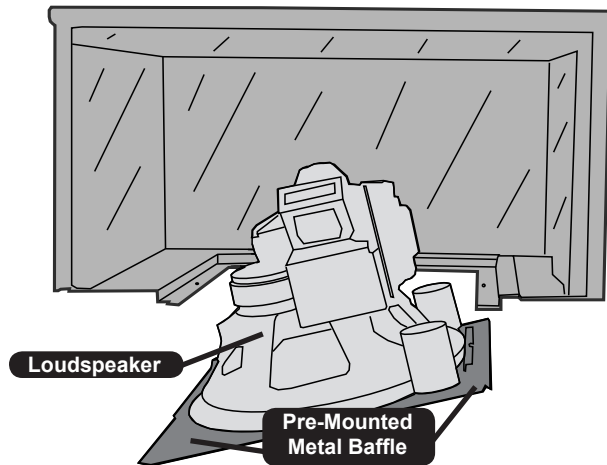




# Control 321C/CT & 322C/CT Installation Instructions



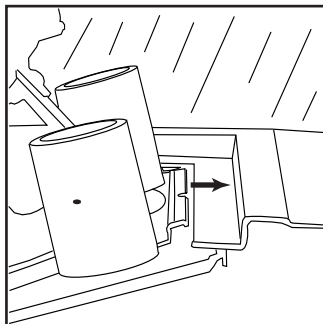
*MTC-300BB12 Backbox  
Shown as Cut-Away for Clarity*

1



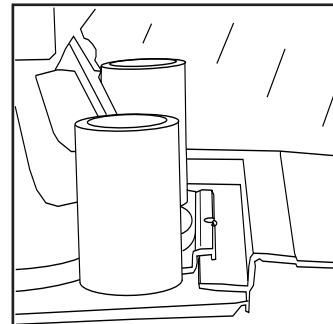
Line up EZ-Rail™ with one of the backbox flanges containing a single mounting hole. For orientation when holding the speaker overhead, two embossed arrows on the underside of the metal baffle indicate the edge with the EZ-Rail.

2



Slide EZ-Rail onto the flange of the JBL MTC-300BB12 (or compatible other brand) backbox.

3



EZ-Rail helps to hold one side of the speaker baffle TEMPORARILY during installation while the installer installs the screws that hold the baffle.

### **IMPORTANT**

The installer MUST secure the baffle in place with screws on all sides.

4

Attaching the loudspeaker/baffle securely in place with screws:

**Using JBL's MTC-300BB12 Backbox** – MTC-300BB12 is compatible with two common mounting systems for installing the loudspeaker/baffle to the backbox. **Either** of these mounting systems may be utilized. Screws are included with the MTC-300BB12 backbox.

**Using A Different-Brand Compatible Backbox** -- Screwholes in the metal baffle are provided corresponding with two common mounting systems. Utilize the system that works with that particular backbox.

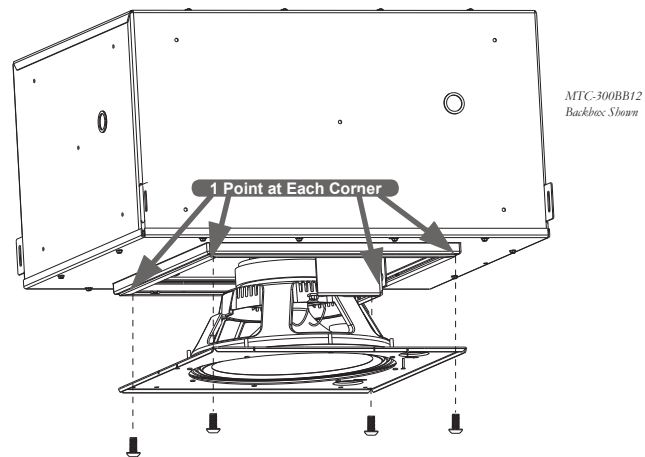
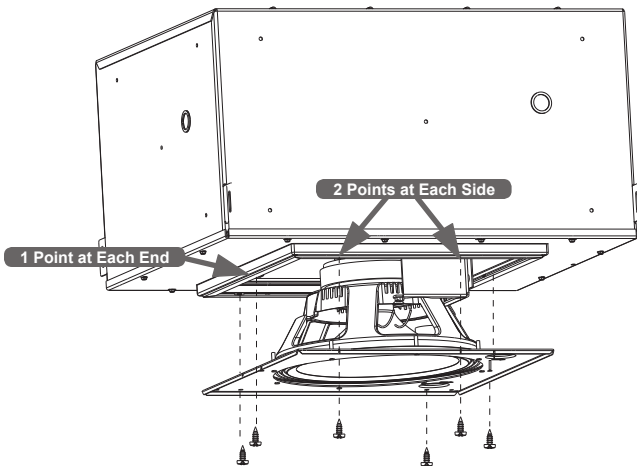
**Mounting Option #1**

Using 6 pcs #10 Sheet Metal Screws



**Mounting Option #2**

Using 4 pcs 4 mm Machine Bolts



**6 pcs #10 x 0.75 inch**

Sheet Metal Screws  
(included with JBL MTC-300BB12 backbox)

Use with Backbox's 6 Speed Nuts (also called Clip Nuts or Tinnerman Nuts), shown above.



**4 pcs 4 mm x 14 mm**

Threaded Machine Bolts  
(included with JBL MTC-300BB12 backbox).

Use with Backbox's 4 Threaded  
Insert Points, shown above.



JBL Professional  
8500 Balboa Boulevard, P.O. Box 2200  
Northridge, California 91329 U.S.A.  
A Harman International Company

361089-001  
8/05