

LX7 K2

7-BUS PROFESSIONAL MIXING CONSOLE



TOP PANEL, CONNECTORS & DIMENSIONS

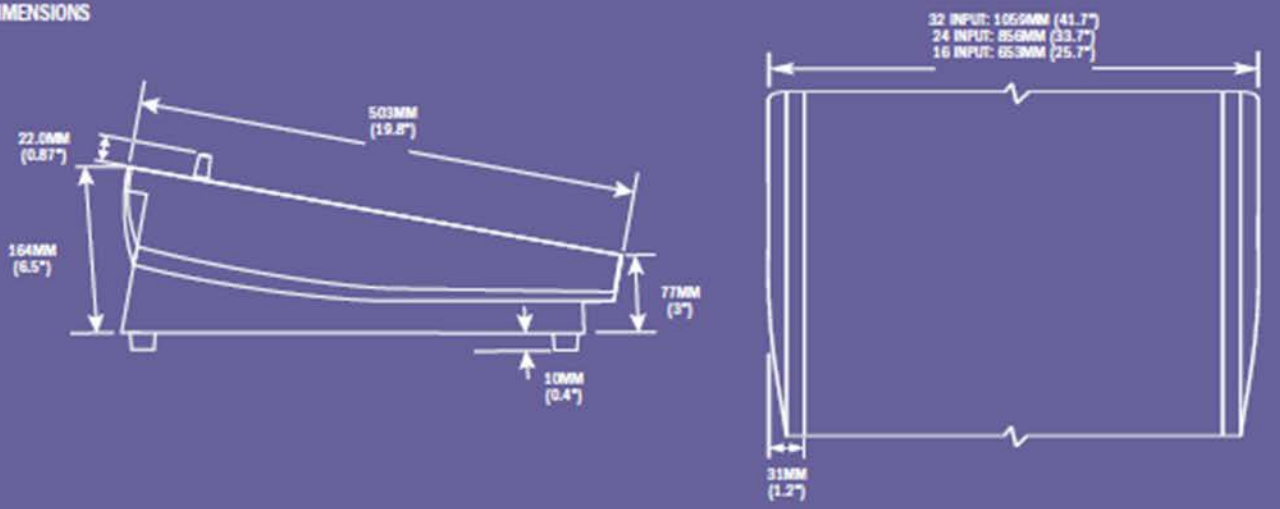
LX7ii K2 OVERHEAD VIEW



LX7ii K2 REAR PANEL CONNECTIONS



DIMENSIONS





Soundcraft Registered Community Trade Mark/RTM No. 000557827

SOUNDCRAFT

HARMAN INTERNATIONAL INDUSTRIES LTD.,
 CRANBORNE HOUSE, CRANBORNE ROAD
 POTTERS BAR, HERTS, EN6 3JN, UK
 T: +44 (0)1707 665000
 F: +44 (0)1707 660742
 E: info@soundcraft.com

SOUNDCRAFT USA

8500 BALBOA BLVD.,
 NORTHRIDGE, CA 91329, USA
 T: +1-818-920-3212
 F: +1-818-920-3208
 E: soundcraft-usa@harman.com

www.soundcraft.com

Soundcraft reserves the right to improve or otherwise alter any information supplied in this document or any other documentation supplied hereafter. E&OE 02/04
 This equipment complies with the EMC Directive 89/336/EEC

Part No: ZL0613



HA Harman International Company

TYPICAL SPECIFICATIONS

Frequency response	XLR input to any output +0/-1dB, 20Hz-20kHz
T.H.D. & noise	All measurements at +10dBu output, 30dB gain. XLR input to Direct output <0.007% @ 1kHz XLR input to Mix output <0.008% @ 1kHz
Mic input E.I.N.	22Hz-22kHz bandwidth, unweighted . . . <-128dBu (150Ω source)
Mic gain	Min 5dB Max 60dB
Bus noise	Mix output, input faders @ -∞, Mix fader 0dB 32 channels routed <-85dBu 16 channels routed <-88dBu Group output, input faders @ -∞, Group fader 0dB 32 channels routed <-85dBu 16 channels routed <-88dBu Aux output, input sends @ -∞, Aux master 0dB 32 channels routed <-88dBu 16 channels routed <-91dBu
Crosstalk @ 1kHz	Input channel muting >98dB Input fader cutoff >98dB Input pan pot isolation >82dB Mix routing isolation >98dB Group routing isolation >98dB Adjacent channel isolation >100dB Group-Mix crosstalk <-84dB Aux send off <-94dB
CMRR	Mono input, measured at max gain typically 80dB @ 1kHz
Input & output levels	Input channel mic input +15dBu max Input channel line input +30dBu max Stereo inputs & insert returns +20dBu max All outputs +20dBu max Nominal operating level 0dBu Headphone power 2 x 250mW into 200Ω phones
Input & output impedances	Mic input 2kΩ Line inputs >10kΩ Input channel insert return 5kΩ (with EQ in, otherwise worst case 1.8kΩ) Mix, Group, Aux outputs 150Ω Insert sends 75Ω Recommended headphone impedance 50-600Ω
High pass filter (Mono input)	100Hz, 18dB per octave
EQ (Mono input)	HF 13kHz, +/-15dB, 2nd order shelving Hi-Mid 550Hz-13kHz, +/-15dB, Q=1 Lo-Mid 80Hz-1.9kHz, +/-15dB, Q=1 LF 80Hz, +/-15dB, 2nd order shelving
Metering	6 tri-colour 12-segment LED bargraphs
Power consumption	AC mains supply (internal PSU) 85V-270V AC, 50/60Hz universal input Power consumption 60W
Weight	16 channel 18.2kg (40lbs) 24 channel 21.8kg (48lbs) 32 channel 25.4kg (56lbs)
Operating conditions	Temperature range -10°C to +30°C Relative humidity 0% to 80%

Note: These figures are typical of performance in a normal electromagnetic environment. Performance may be degraded in severe conditions. All measurements refer to electronically balanced inputs and outputs with VCAs enabled. Input and output transformers may affect these specifications.