

Houses of worship  
 Conference and lectern  
 Distance learning and security  
 Courtrooms

- Supercardioid polar pattern reduces muddy-sounding room acoustics and background noise
- PCC® technologie (phase coherent cardioid®) for clear and natural sound
- Programmable membrane switch can be programmed for touch on/off, press to talk or press to mute
- LED light indicates when unit is on
- Elegant styling and small size



## PCC-130SW

The PCC®-130SW is a surface-mounted small cardioid microphone of professional quality. This handsomely styled unit is appropriate for use on the most elegant boardroom table or lectern. Other applications include churches, courtrooms and teleconferencing.

The PCC®-130SW has a silent-operating membrane switch which is normally off. The switch can be configured for touch on/off, momentary on or momentary off. This configuration is set by a bottom-mounted slide switch. A high-intensity LED lights when the unit is on. The PCC®-130SW is intended for multiple-microphone use on a conference table where each person wants control of his or her microphone. The microphone attenuates 70 dB when the switch is in the off position. Since the microphone capsule is placed on a boundary or surface, direct and reflected sounds arrive at the diaphragm in-phase resulting in a wide, smooth frequency response free of phase interference. Clarity and reach are also enhanced.

With its small size, the PCC® -130 is less conspicuous on a conference table than comparable mics. Because of its highly directional pickup pattern, the PCC®-130 minimizes background noise and feedback. The microphone uses the principle of phase coherency achieved by mounting a small-diameter mic capsule very near a boundary. Direct and reflected sound waves arrive at the mic in-phase, and add coherently. This enhances sensitivity, clarity and reach.

Self-contained electronics eliminate the need for an in-line power module. Powered by 12-48 V phantom power, the PCC®-130 has a low-impedance balanced output which permits long cable runs without hum pickup or high-frequency loss. Included with each PCC®-130 is a 4,6 m (15 ft.), two-conductor shielded microphone cable with a TA3F connector (mic end) and 3-pin male XLR-type connector (output).

Capable of withstanding up to 120 dB SPL without distortion, the PCC®-130 will never overload in practical use. Its electret-condenser capsule provides a wide, smooth frequency response from 50 Hz to 20 kHz. RFI suppression is included. Self-noise is low and sensitivity is very high. A bass-tilt switch allows the user to tailor the low-end response for particular applications. Permanent mounting is enabled by screw holes in the base.

AKG SOUNDS BETTER



## Installation

Typical placement for each microphone is at arm's length from the user. Place one microphone in front of each person or one between every two people. The front of the microphone is indicated by an arrow on the bottom of the base plate.

If the microphone is used on a lectern, place it on an open surface, not in a cavity. Otherwise the frequency response and polar pattern will be degraded.

Connect the far end of the mic cable to the input of a phantom power supply. Connect the output of the phantom power supply to a mixer mic input. Or, if your mixer has phantom power built in, connect each mic cable directly to a mixer mic input. The PCC includes two keyhole slots in its base to accept mounting screws. To screw the PCC to a table top, follow this procedure:

1. Punch out the keyholes marked on the label underneath the base plate (use a razor blade, small screwdriver, etc.).
2. Mark the location of two holes in the table where you want to mount the mic. These holes are 4 cm (1.6 in.) apart, center-to-center. They are 5.6 cm (2.2 in.) from the rear of the mic.
3. Screw two woodscrews into the table at the locations you marked.
4. Loosen the screws enough to receive the mic and to hold it with a friction fit.

## Membrane Switch

The PCC-130SW membrane switch can be configured to work three ways:

1. *Touch on/off.* Touch the switch to turn on the mic; touch it again to turn off the mic.
  2. *Momentary on.* Touch and hold the switch to turn on the mic momentarily. Release the switch to turn the mic back off.
  3. *Momentary off.* Touch and hold the switch to turn off the mic momentarily. Release the switch to turn the mic back on. This option can serve as a cough or privacy button.
- After choosing the option you prefer, set the DIP switches according to the label on the bottom of the microphone. The LED in the microphone housing will light when the mic is on.

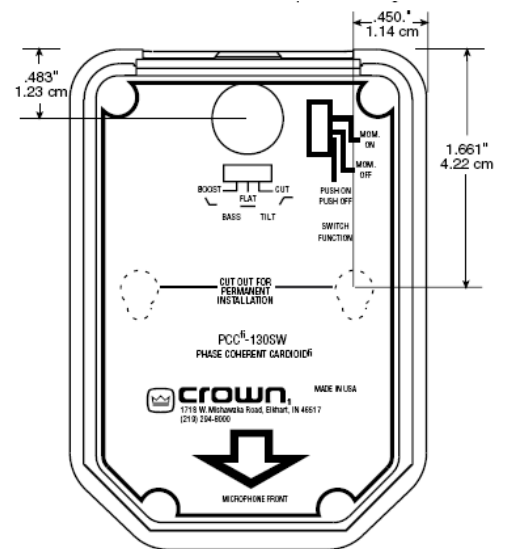
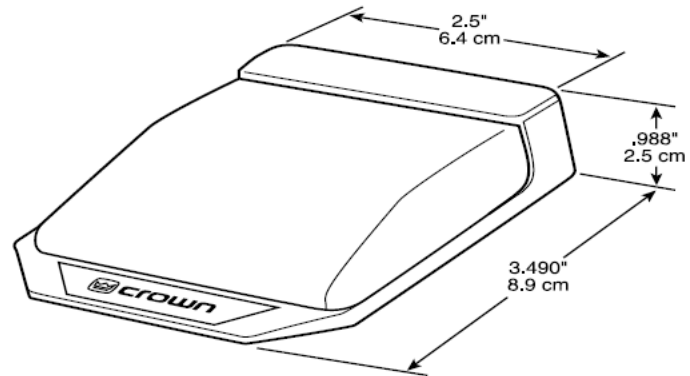
## Architects' and Engineers' Specifications

The microphone shall be the Crown Model PCC-130SW or equivalent.

The microphone shall be a half-supercardioid electret condenser type. The microphone shall employ the principle of phase coherency achieved by mounting a small-diameter element very near a boundary, thus eliminating comb filtering in the audible spectrum.

The microphone will exhibit excellent off-axis response and gain-before-feedback. A 4.6 m (15 ft.), two-conductor shielded cable with XLR connectors shall be supplied with the microphone. The PCC® -130SW shall have a silent operating membrane switch which can be configured for push on/off, momentary on or momentary off operation.

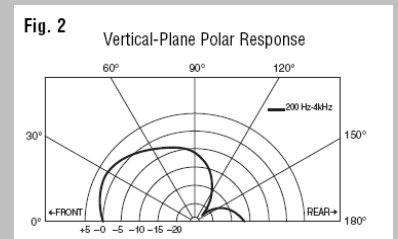
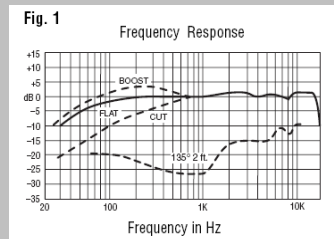
The PCC®-130SW is specified.



## Specifications:

<b>Polar pattern:</b>	<b>Supercardioid</b>
<b>Frequency range:</b>	<b>50 to 20,000 Hz</b>
<b>Impedance:</b>	<b>150 ohms</b>
<b>Sensitivity:</b>	<b>22 mV/Pa (-30dBV)</b>
<b>Equivalent noise level:</b>	<b>22 dB-A</b>
<b>Maximum SPL:</b>	<b>120 dB</b>
<b>Connector:</b>	<b>Switchcraft TB3M</b>
<b>Powering:</b>	<b>12 to 48 V phantom power to DIN/IEC</b>
<b>Cable:</b>	<b>4.6 m (15ft.)</b>
<b>Finish:</b>	<b>satın black</b>
<b>Net weight:</b>	<b>269 g (9.5 oz.) incl. cable</b>

**Item number:** PCC-130SW 6000H50120



[www.akg.com](http://www.akg.com)

**AKG Acoustics GmbH**

Lemböckgasse 21–25, 1230 Vienna/AUSTRIA, phone: + 43 1 86654 0

e-mail: [sales@akg.com](mailto:sales@akg.com)

**AKG Acoustics, U.S.**

8400 Balboa Boulevard, Northridge, CA 91329, U.S.A., phone: + 1 818 920 3212

e-mail: [akgusa@harman.com](mailto:akgusa@harman.com)

For other products and distributors worldwide visit [www.akg.com](http://www.akg.com)

Specifications subject to change without notice.

**H** A Harman International Company

