

8

7

6

5

4

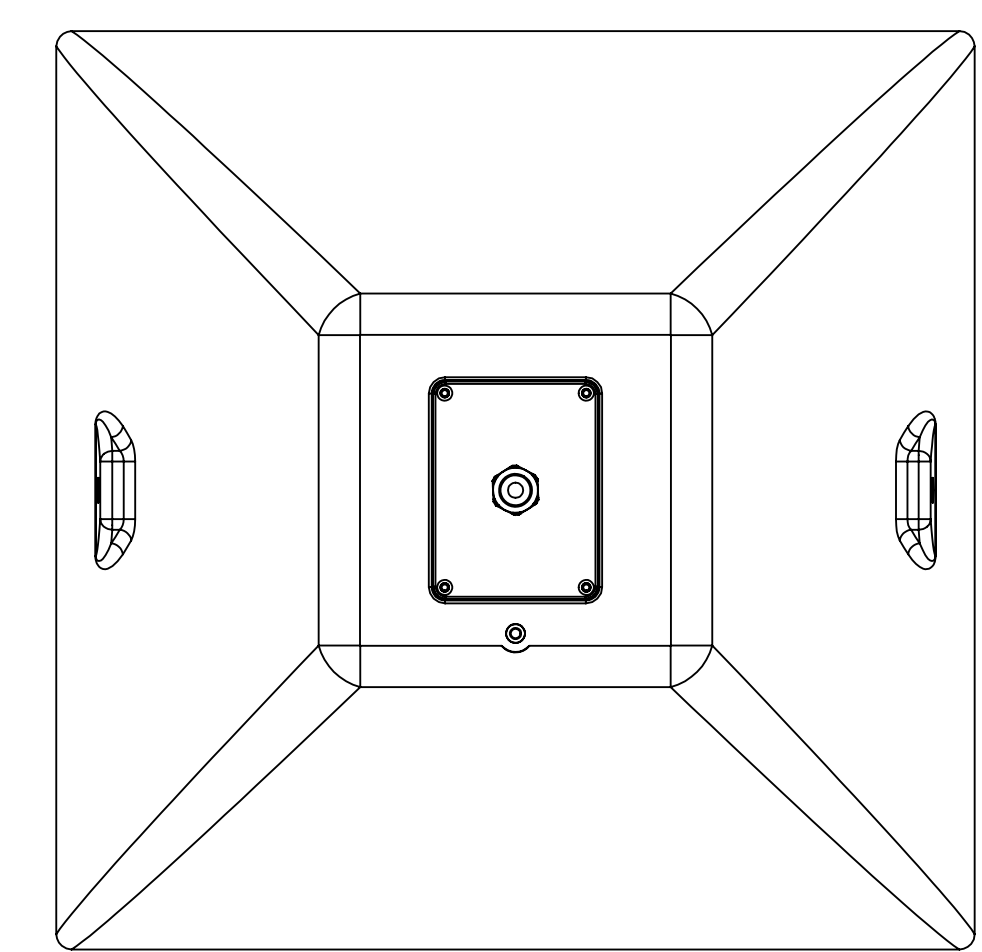
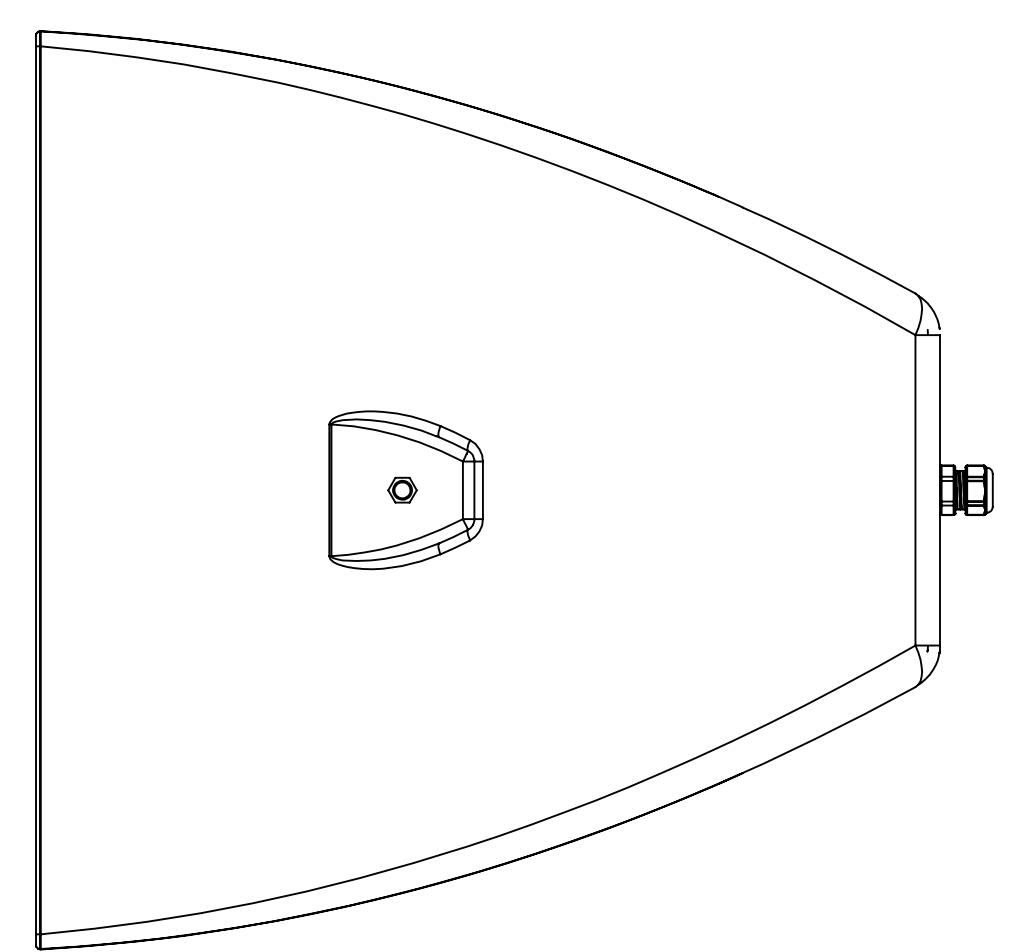
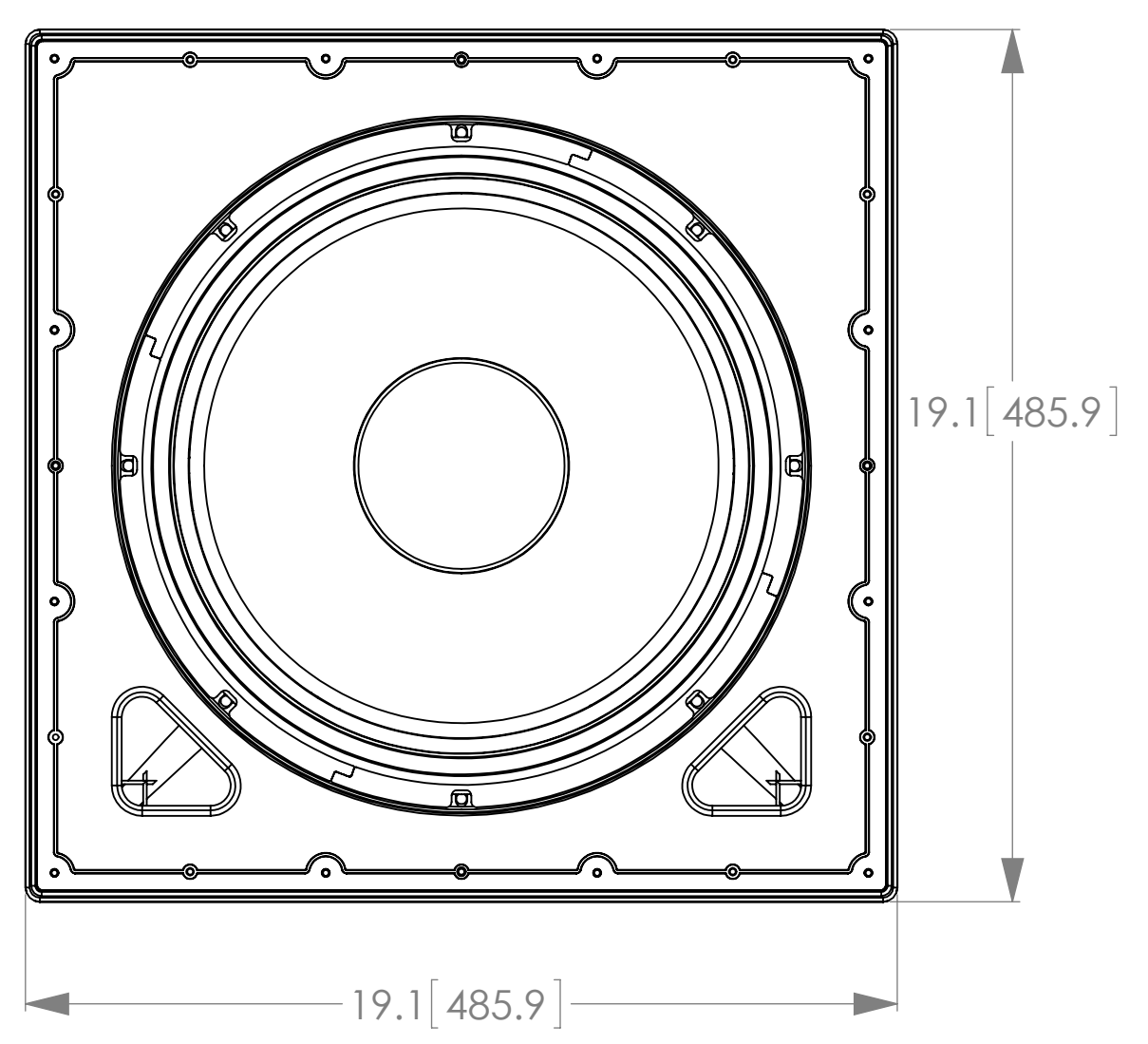
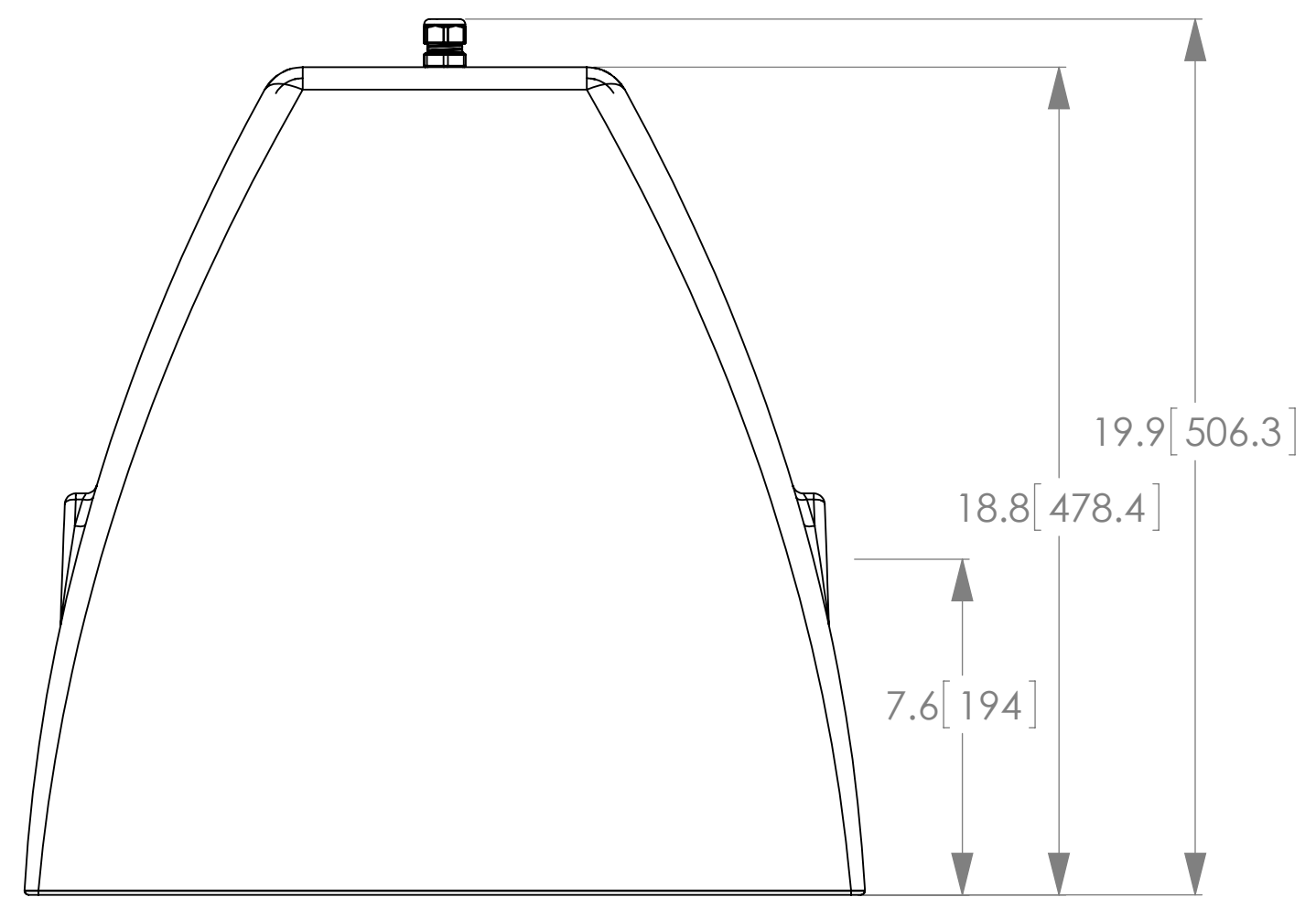
3

2

1

THESE DRAWINGS AND SPECIFICATIONS ARE THE PROPERTY OF JBL INCORPORATED THEY ARE ISSUED IN STRICT CONFIDENCE AND SHALL NOT BE REPRODUCED, COPIED, OR USED AS THE BASIS FOR MANUFACTURING OR SALE OF APPARATUS WITHOUT WRITTEN PERMISSION.

ALL MATERIAL SPECIFIED ON THIS DRAWING SHALL COMPLY WITH EUROPEAN DIRECTIVE 2002/95/EC
RoHS



UNCONTROLLED COPY

Dimensions in IN" [mm]

NOTES: (UNLESS OTHERWISE SPECIFIED)

8

7

6

5

4

3

2

1

MODELS
AWC159

ITEM	PART NO.	DESCRIPTION	REMARKS/REF P/N'S
METRIC TOLERANCES-MILLIMETER (UNLESS OTHERWISE SPECIFIED) X.X ± 0.3 mm X ± 1mm ANGULAR ± 0°30'		TOLERANCES (UNLESS OTHERWISE SPECIFIED) .XXX ± .005 INCH .XX ± .010 INCH .X ± .020 INCH ANGULAR ± 030' FRACTIONAL ± 1/32	JBL Professional A Harman International Company Northridge, California 91329, U.S.A.
DRAWN BY D.A.R. DESIGNER ENGR		DATE DATE DATE	TITLE AWC159/AWC159LF
* DIMENSIONS ARE MM * BREAK SHARP EDGES 0.1 mm * ALL DIMENSIONS ARE FINISH DIMENSIONS * DO NOT SCALE DRAWING		* DIMENSIONS ARE INCHES * BREAK EDGES TO .005 MIN * ALL DIMENSIONS ARE FINISHED DIMENSIONS * DO NOT SCALE DRAWING	SIZE D SCALE: 3 / 1
THIRD ANGLE PROJECTION		SHEET 1 OF 1	REV B