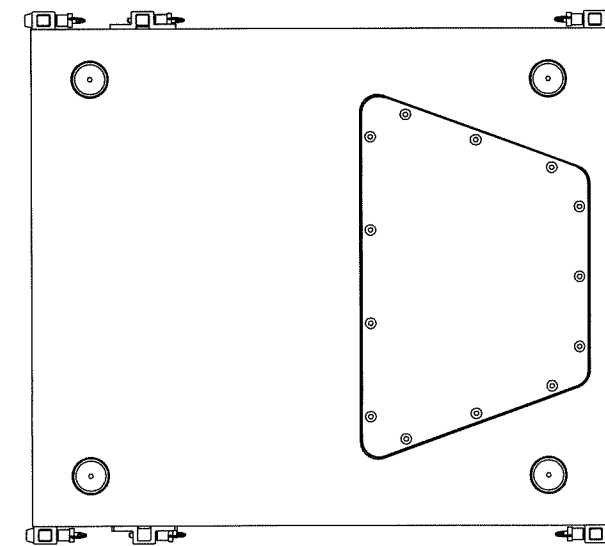
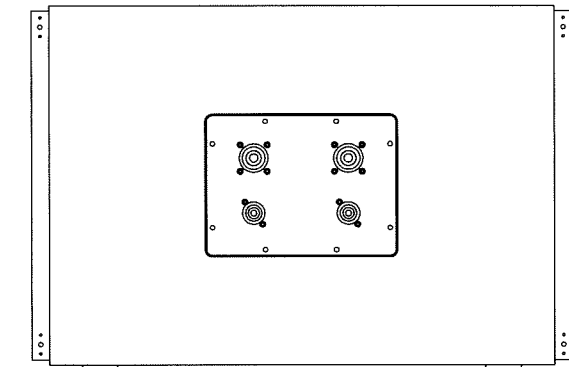
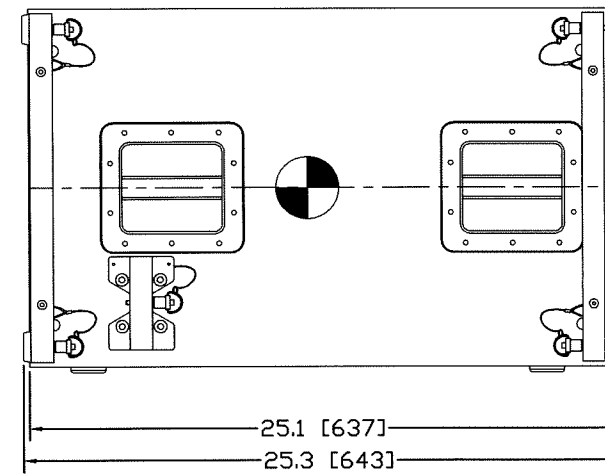
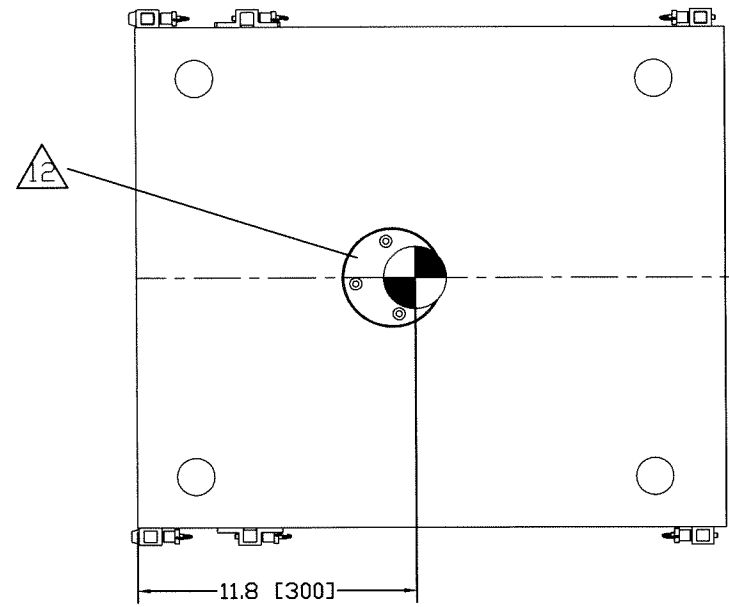
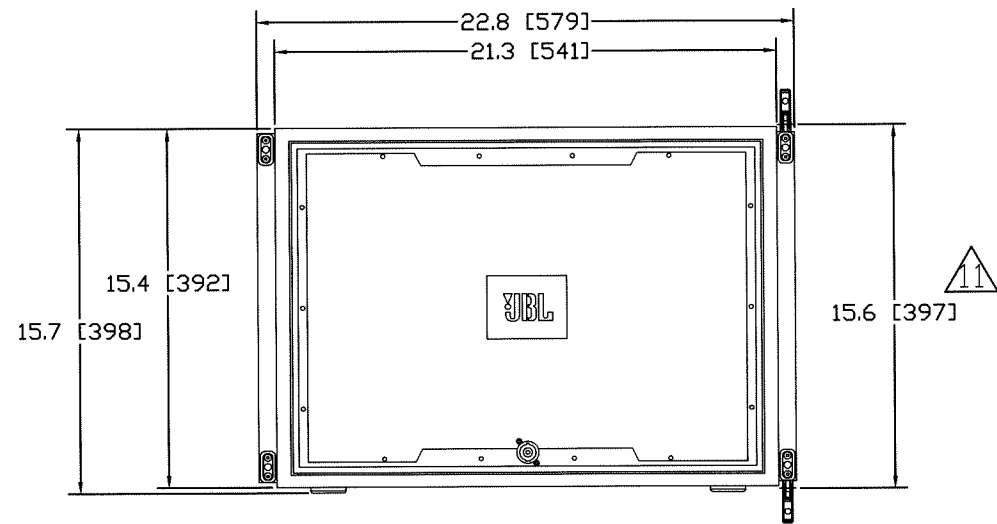


THESE DRAWINGS AND SPECIFICATIONS ARE THE PROPERTY OF JBL INCORPORATED THEY ARE ISSUED IN STRICT CONFIDENCE AND SHALL NOT BE REPRODUCED, COPIED, OR USED AS THE BASIS FOR MANUFACTURING OR SALE OF APPARATUS WITHOUT WRITTEN PERMISSION.

ALL MATERIAL SPECIFIED ON THIS DRAWING SHALL COMPLY WITH EUROPEAN DIRECTIVE 2002/95/EC **RoHS**

CHG		LTR		REVISIONS		DRFT	CHK	DATE	APPR
				DESCRIPTION					
39240		A		RELEASE FOR MARKETING		YT			B

1/8/2010



1. SYSTEM CONFIGURATION: 2X 12" SUBWOOFER, 2X 8 OHMS RATED IMPEDANCE.
2. COMPONENTS: LF - 2X 2263H-1
3. INPUT CONNECTERS: 2X SPEAKON NL-8 AND 3X SPEAKON NL-4
(2 X NL4 ON REAR, 1 X NL4 ON FRONT GRILLE)
(ALL CONNECTORS ELECTRICALLY IN PARALLEL)
4. TRANSDUCER WIRING: LF1 - NL4/NL8 1+/1-
LF2 - NL4/NL8 2+/2-
5. GRILLE 14 GA PERFORATED CRS, POWDERCOATED BLACK, BLACK FOAM BACKING.
6. MATERIAL: 15MM BIRCH PLYWOOD.
7. FINISH: BLACK DURAFLEX.
8. SUSPENSION SYSTEM: JBL PROPRIETARY, HINGE-BARS, BALL ROCK PINS AND SUSPENSION FRAMES.
9. WEIGHT: 29.5 KG (65LBS)
10. CENTER OF GRAVITY (CG)

△ DIMENSION SHOWN DISTANCE BETWEEN CENTER TO CENTER OF HINGES.
 △ POLE ADAPTER: M20 FEMALE THREADED SOCKET. (ACCEPTS JBL SS4-BK OR EQV)

NOTES: (UNLESS OTHERWISE SPECIFIED)

TOLERANCES
 (UNLESS OTHERWISE SPECIFIED)
 X.XXX ± .031 INCH
 X.XX ± .063 INCH
 X.X ± .125 INCH
 ANGULAR ± .030°
 ■ DIMENSIONS ARE INCHES (MM)
 ■ ALL DIMENSIONS ARE FINISHED DIMENSIONS
 ■ DO NOT SCALE DRAWING

JBL Professional A Harman International Company Northridge, California 91329, U.S.A.	
TITLE CUSTOMER DWG,VT4883	
SIZE D	DRAWING NO. 444718
SCALE: 1:4	REV A
SHEET 1	OF 1

UNCONTROLLED COPY