

B48 L

USER INSTRUCTIONS

Please read the manual before using the equipment!



BATTERY POWER SUPPLY FOR CONDENSER MICROPHONES

The B48 L is a battery powered one channel phantom power supply for P48 condenser microphones. The 48V power supply is for those applications when a condenser microphone is used where no phantom power from a mixer is available. The additional mini-XLR audio output and the included mini-XLR to mini-XLR connection cable support a direct connection to all AKG body-pack transmitters. The phantom power of the audio input supplies microphones with 48V and meet the P48 standard. B48 L is designed to meet the demand of lowest noise level even in operation with high-end condenser microphones for professional applications in theater or touring applications.



POWERING UP

Insert two batteries into the battery compartment, aligning the batteries with the polarity symbols inside the battery compartment. The B48 L provides a polarity protection. If you insert the batteries the wrong way, the B48 L will not be powered. Press the ON/OFF button

Green POWER status LED

- » Green: Power OK, Phantom power >42V
- » Dark: Phantom power <42V

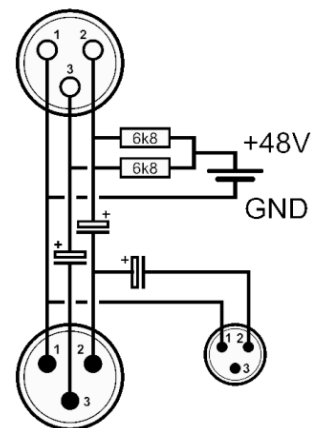
Red LOW BAT status LED

- » LR6 alkaline, FR6 lithium batteries: Operation time below 1 hour
- » HR6 rechargeable batteries: Operation time below 2 hours

SPECIFICATIONS and SCHEMATIC

Audio frequency range	20 – 24 000 Hz
Gain	0 dB
Finish	black
Audio input connector	1x XLR 3-pin (f) audio input (48V/10mA)
Audio output connectors	1x XLR 3-pin (m) audio output 1x mini-XLR (m) audio output for direct connection to AKG wireless body-pack transmitter
Battery	2x AA size batteries (LR6, HR6, FR6)
Noise level	< 2 μ V
Operating temperature	-10 to 50 °C (14 to 122 °F)
Dimensions	123x65x28.5 mm (4.84x2.56x1.12 in.)
Net weight	120 g (0.26 lbs)
Item Number	3163Z00010

Microphone Input



Audio Outputs

SAFETY



1. Do not spill any liquids on the equipment and do not drop any objects through the ventilation slots in the equipment.
2. The equipment may be used in dry rooms only.
3. The equipment may be opened, serviced, and repaired by authorized personnel only. The equipment contains no user-serviceable parts.
4. Operate the equipment with the included AA size dry batteries or the dry or rechargeable batteries recommended in this manual only.
5. If any solid object or liquid penetrates into the equipment, shut down the sound system immediately. Remove the batteries from the equipment immediately and have the equipment checked by AKG service personnel.
6. Do not place the equipment near heat sources such as radiators, heating ducts, or amplifiers, etc. and do not expose it to direct sunlight, excessive dust, moisture, rain, mechanical vibrations, or shock.
7. Clean the equipment with a moistened (not wet) cloth only. Be sure to disconnect the power supply cable from the power outlet before cleaning the equipment! Never use caustic or scouring cleaners or cleaning agents containing alcohol or solvents since these may damage the enamel and plastic parts.
8. Use the equipment for the applications described in this manual only. AKG cannot accept any liability for damages resulting from improper handling or misuse.
9. Any modifications made to the equipment without the express consent of AKG may lead to violations of telecommunications legislation voicing the operating permit.

ENVIRONMENT



1. When scrapping the equipment, separate the case, circuit boards, and cables, and dispose of all components in accordance with local waste disposal rules.
2. The packaging of the equipment is recyclable. Dispose of the packaging in an appropriate container provided by the local waste collection/recycling entity and observe all local legislation relating to waste disposal Environment and recycling.



Printed in Austria.

AKG Acoustics GmbH

Lemböckgasse 21–25, 1230 Vienna, AUSTRIA, e-mail: sales@akg.com

For other products and distributors worldwide visit www.akg.com

Features, specifications and appearance are subject to change without notice.

www.akg.com

5028606_A